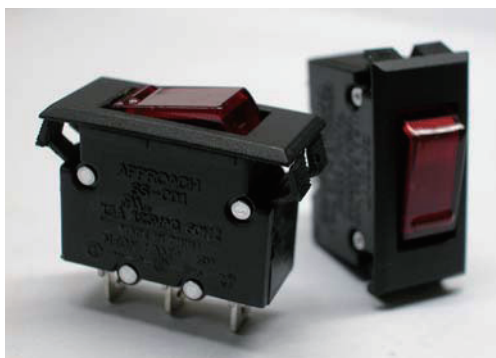




### Circuit Breaker SS001 Series



- Circuit Breaker/ Supplementary Protector
- 3 to 16 Amps available
- Trip free
- 13x28mm

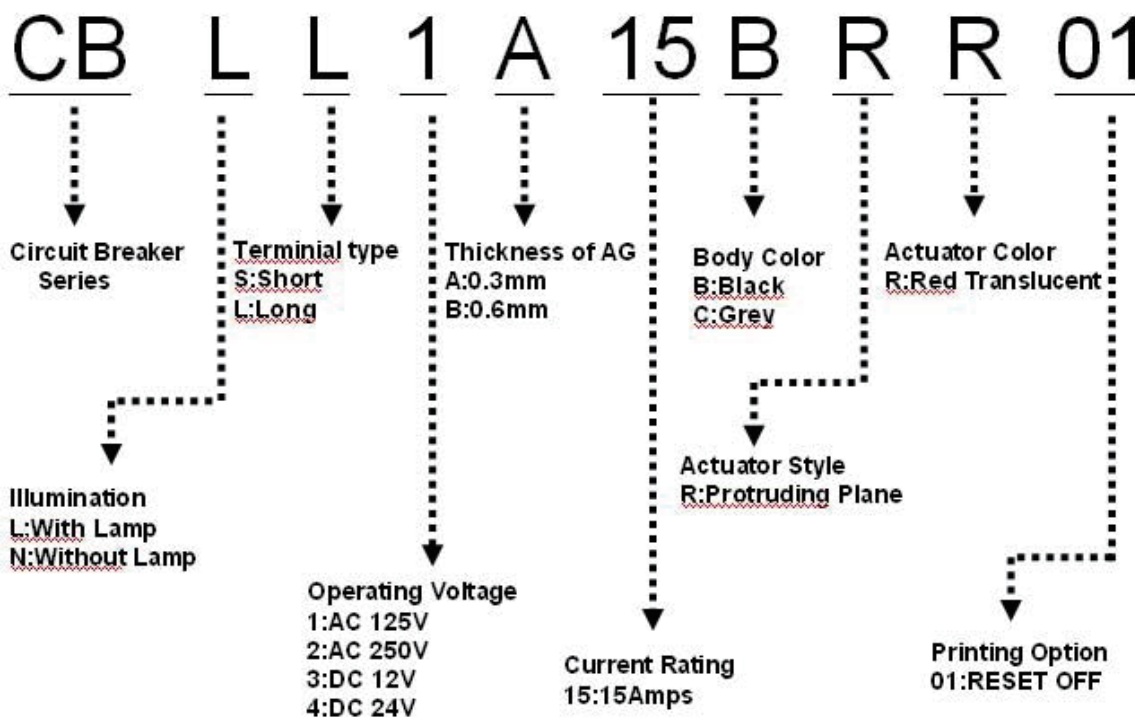
#### SPECIFICATION

- Electrical rating : 20A 125 VAC (UL)  
16A 250 VAC
- Endurance : 10000 operations at a rate of 6 operations per minute  
(6000 at full rated current plus,4000 without power)
- Electrical Data : 25°C
- Calibration : Will continuously carry 100% of rating.  
Must trip at 150% of rating with in one hour at +25°C
- Dielectric Strength : Withstands 1500 VAC at 50/60 Hz for 60 seconds
- Insulation Resistance : Not less than 100megohms at 500 VDC
- Ambient operation : -40~+85°C
- Trip free : Will trip open on overload even when forcibly held on.

#### MATERIALS

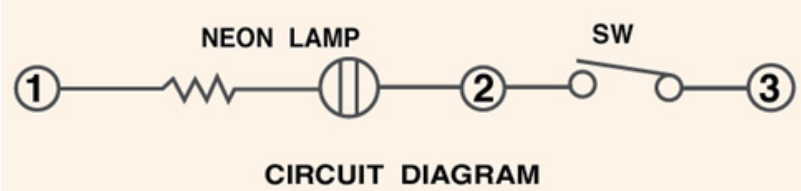
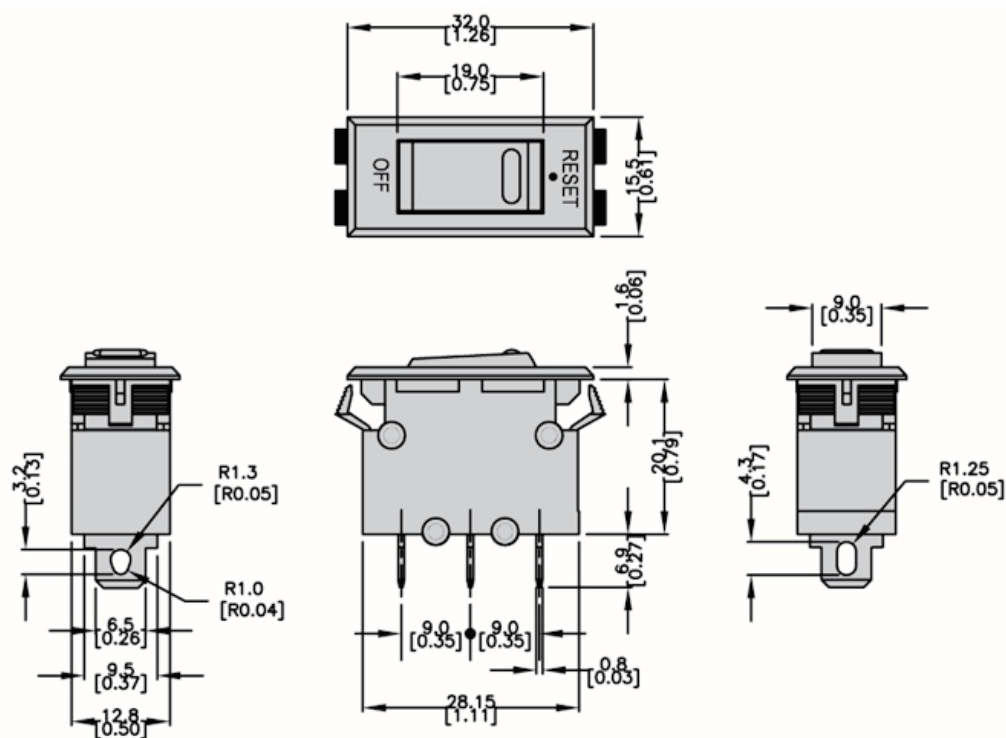
- Housing : NYLON+GLASSFIBER
- Rocker : PC
- Electric Contact : AgSnO2
- Terminal : Brass (Silver Plated)
- Spring : Stainless
- Rivet : Aluminum

#### HOW TO ORDER

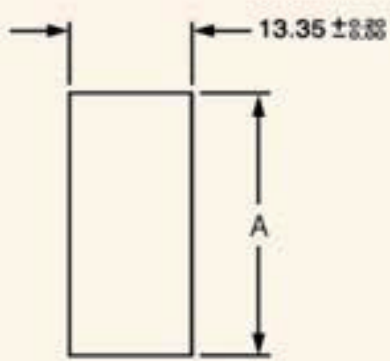




Dimension



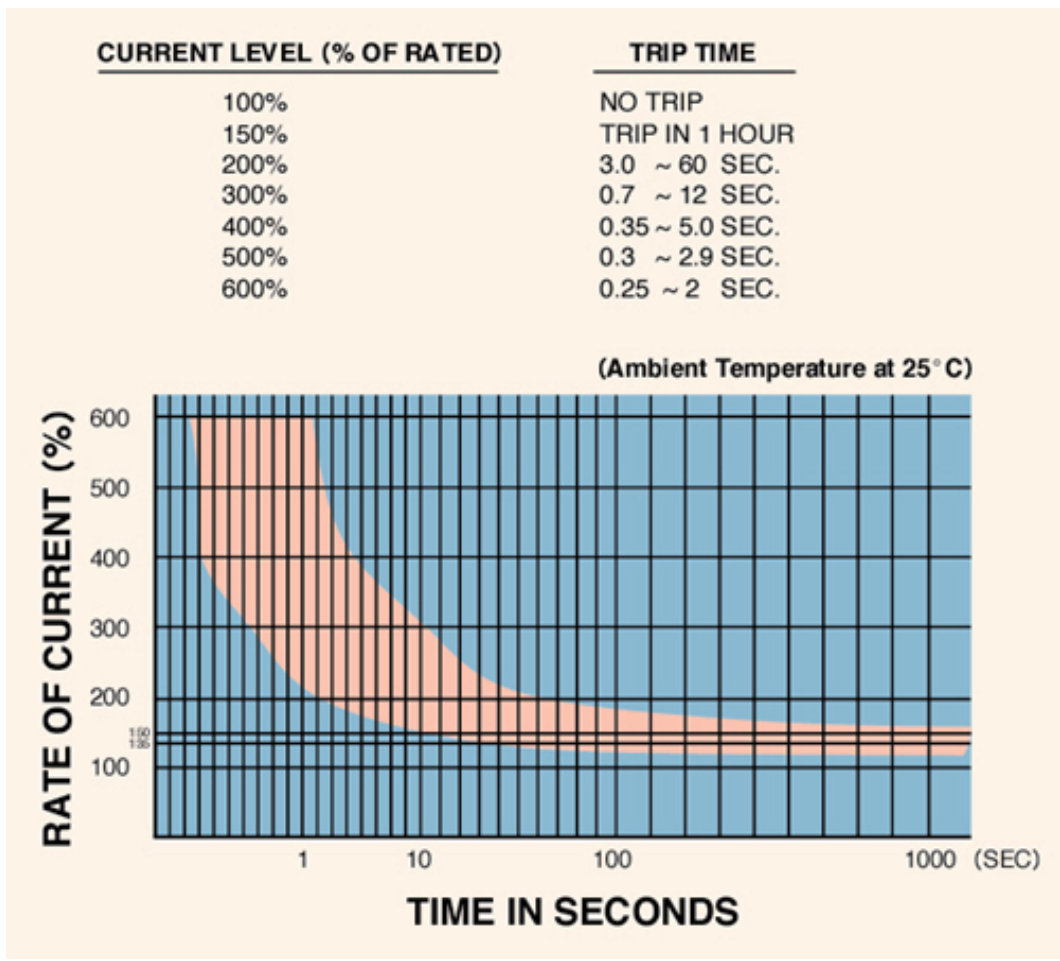
Panel cut out



| THICKNESS | DIMENSION (A)   |
|-----------|---|
| 0.8~1.0   | 28.4 $\begin{smallmatrix} +0.1 \\ -0 \end{smallmatrix}$ |
| 1.1~1.4   | 28.8 $\begin{smallmatrix} +0.1 \\ -0 \end{smallmatrix}$ |
| 1.5       | 29.0 $\begin{smallmatrix} +0.1 \\ -0 \end{smallmatrix}$ |



Time VS. Current Trip Curve



Ambient Compensation Table

| Ambient Temperature in °C | Rating Correction Factor |
|---------------------------|--------------------------|
|                           | 3A~16A Models            |
| -30                       | X2.05                    |
| -20                       | X1.7                     |
| -5                        | X1.2                     |
| 10                        | X1.1                     |
| 20                        | X1.05                    |
| 25                        | X1                       |
| 30                        | X0.9                     |
| 40                        | X0.8                     |
| 50                        | X0.7                     |
| 60                        | X0.6                     |
| 85                        | X0.45                    |